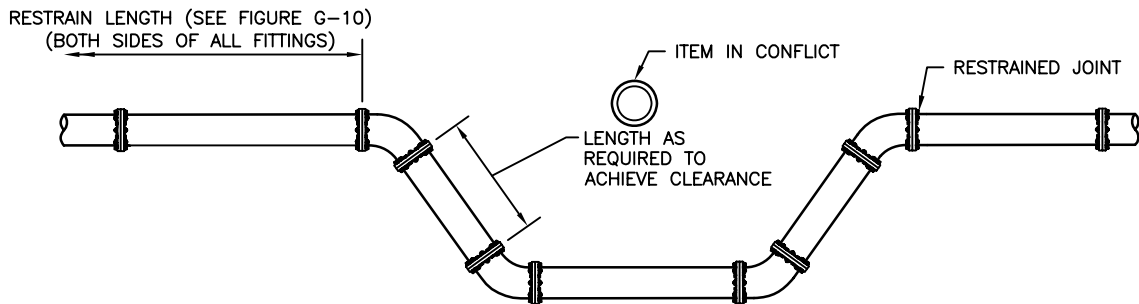


EXISTING A/C PIPE – HEADWALL



NEW & EXISTING PIPE – RESTRAINED JOINT

NOTES

1. SEE SECTION 1 – DESIGN CRITERIA FOR AIR RELEASE VALVE REQUIREMENTS.