

PLAN

WATERTIGHT SEWER MANHOLE FRAME AND COVER (SEE COUNTY APPROVED PRODUCT LIST, APPENDIX F) FLUSH WITH GRADE (24" MINIMUM DIAMETER)

MINIMUM OF TWO PRECAST CONCRETE OR HDPE RISER RINGS AND CHIMNEY SEAL (SEE COUNTY APPROVED PRODUCT LIST, APPENDIX F) BETWEEN MANHOLE AND CAST IRON FRAME

PAVEMENT

304 STAINLESS STEEL INFLOW PROTECTORS

GROUT (TYP)

PLASTIC JOINT SEALING COMPOUND (SEE COUNTY APPROVED PRODUCT LIST, APPENDIX F) KEYED (TYP)

ALL INTERIORS OF MANHOLES (PUBLIC AND PRIVATE) SHALL HAVE INTERNAL PROTECTION (SEE COUNTY APPROVED PRODUCT LIST, APPENDIX F) AS SPECIFIED IN SECTION 099723

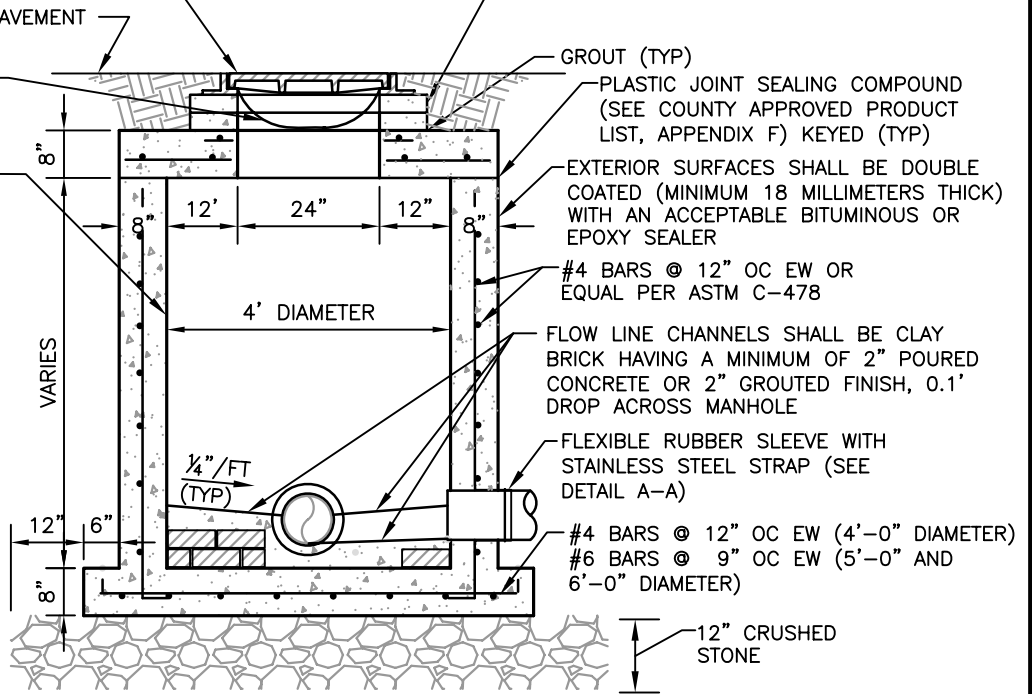
EXTERIOR SURFACES SHALL BE DOUBLE COATED (MINIMUM 18 MILLIMETERS THICK) WITH AN ACCEPTABLE BITUMINOUS OR EPOXY SEALER

#4 BARS @ 12" OC EW OR EQUAL PER ASTM C-478

FLOW LINE CHANNELS SHALL BE CLAY BRICK HAVING A MINIMUM OF 2" POURED CONCRETE OR 2" GROUTED FINISH, 0.1' DROP ACROSS MANHOLE

FLEXIBLE RUBBER SLEEVE WITH STAINLESS STEEL STRAP (SEE DETAIL A-A)

#4 BARS @ 12" OC EW (4'-0" DIAMETER)
#6 BARS @ 9" OC EW (5'-0" AND 6'-0" DIAMETER)

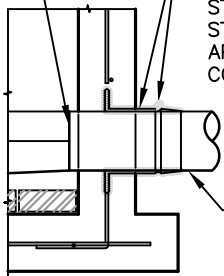


SECTION

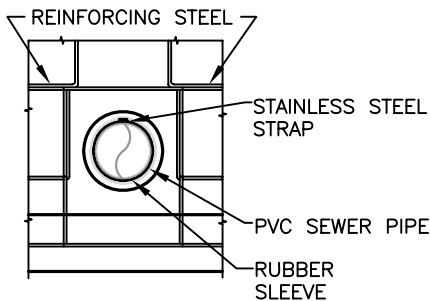
PIPE SHALL BE BEVELED OR SQUARE

FLEXIBLE, RUBBER SLEEVE, LOCK-JOINT TYPE WITH STAINLESS STEEL STRAP, OR AS APPROVED BY COUNTY

PVC SEWER PIPE



SECTION



ELEVATION

DETAIL A-A

SHALLOW MANHOLE DETAIL
NTS