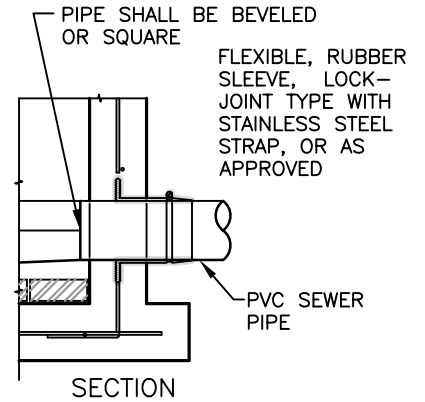
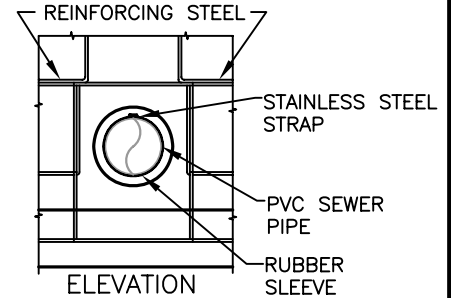


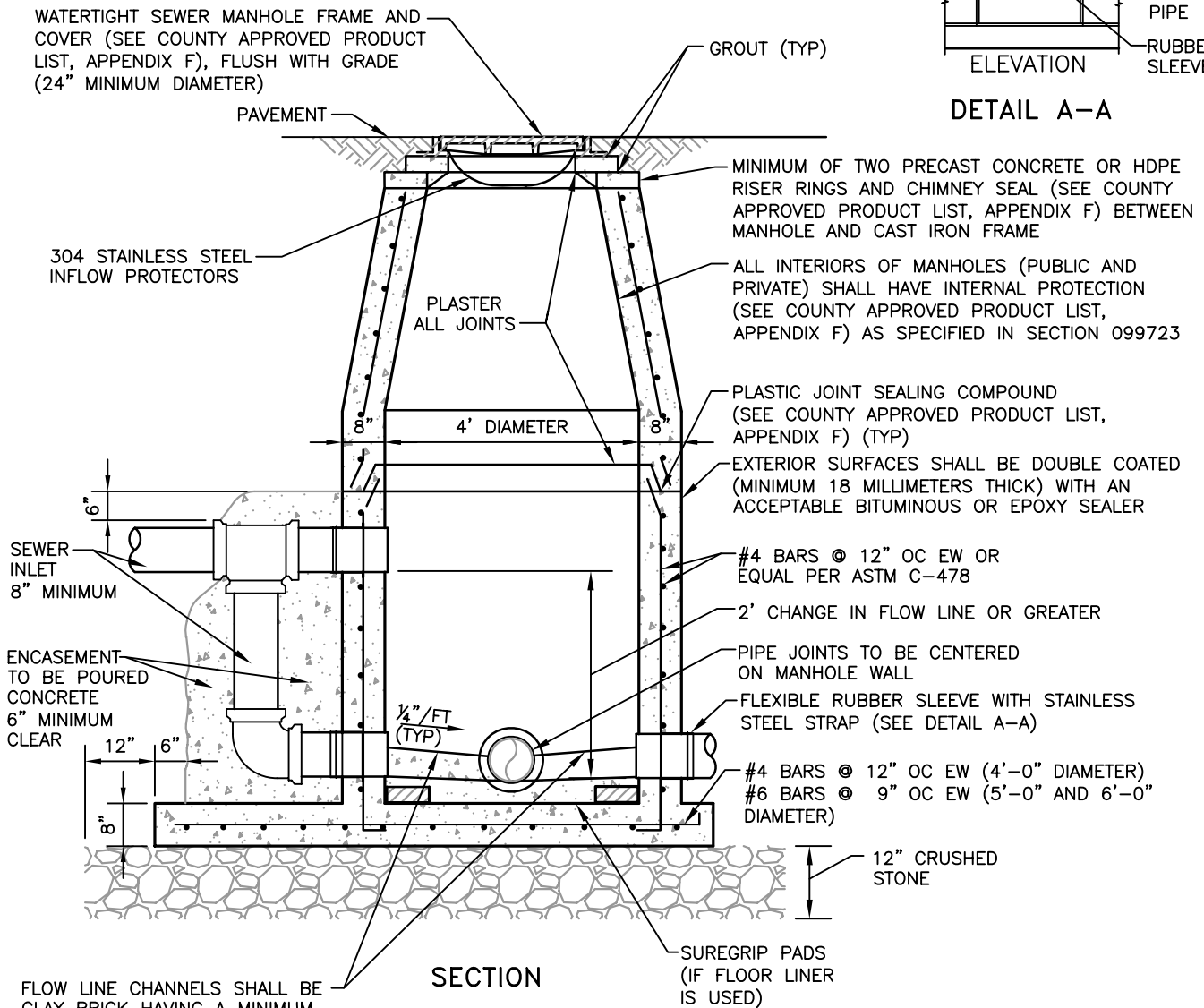
PLAN



SECTION



DETAIL A-A



SECTION

FLOW LINE CHANNELS SHALL BE CLAY BRICK HAVING A MINIMUM OF 2" POURED CONCRETE OR 2" GROUTED FINISH, 0.1' DROP ACROSS MANHOLE

DROP MANHOLE DETAIL
NTS