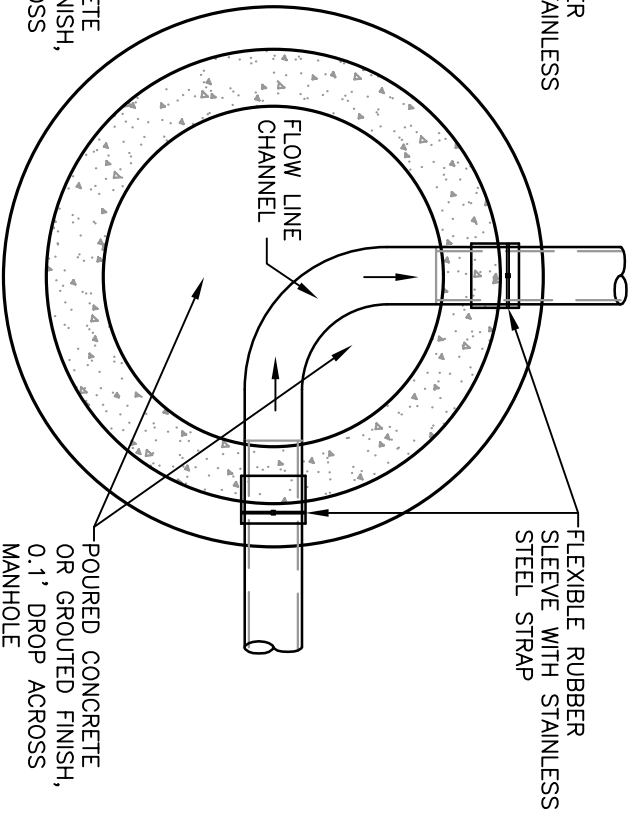
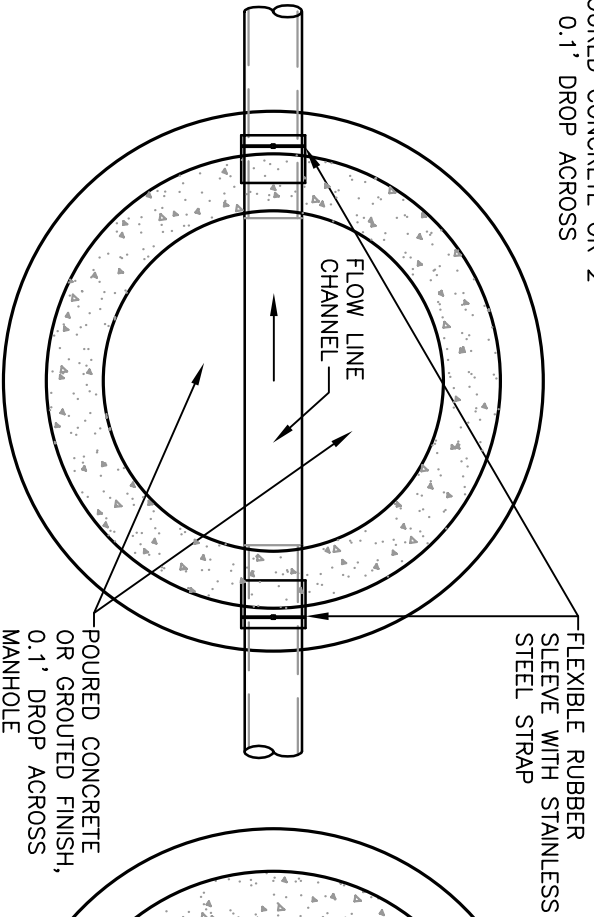


FLOW LINE CHANNELS SHALL BE CLAY BRICK HAVING A MINIMUM OF 2" POURED CONCRETE OR 2" GROUTED 0.1' DROP ACROSS MANHOLE



REVISED: APRIL 2006

WW-15

TYPICAL FLOW LINE CHANNELS DETAIL

NTS