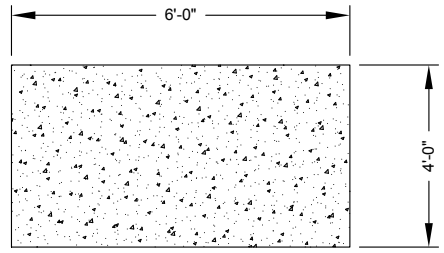
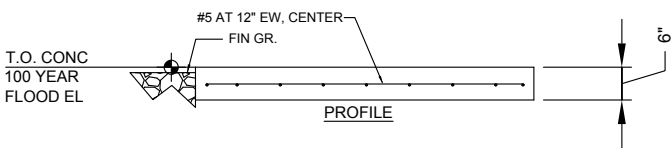


ODOR CONTROL PAD (TYPICAL)
N.T.S



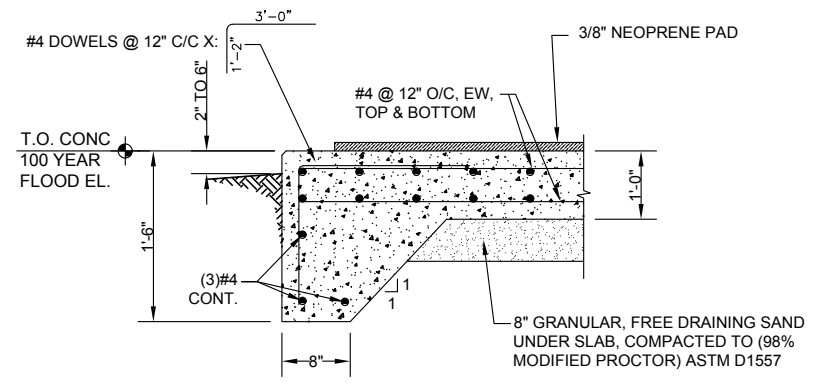
PLAN



PROFILE

PUMP CONTROL PANEL PAD (TYPICAL) - N.T.S

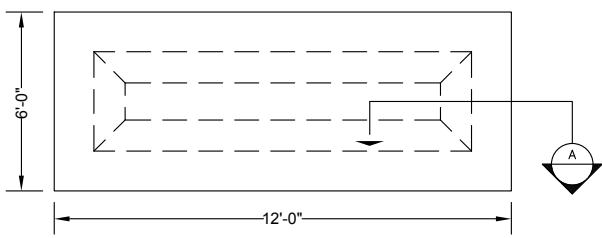
PUMP STATION CONCRETE DETAILS



SECTION A
SCALE: N.T.S.

GENERATOR (SLAB/REINF.)

NOTE: CONTRACTOR SHALL PROVIDE A 3/8" CLOSED CELL NEOPRENE PAD ON THE SLAB TO MATCH THE BASE FOOTPRINT OF THE GENERATOR OR THE DIESEL PUMP.



STAND-BY GENERATOR OR DIESEL PUMP CONCRETE SLAB
DETAIL (TYP.) - N.T.S.

STRUCTURAL NOTES:

1. ALL CONCRETE SHALL BE 4000 PSI MINIMUM COMPRESSIVE STRENGTH; W/C = 0.45, AIR CONTENT 6% (±) 1%; SLUMP = 4" BEFORE ADDING WATER REDUCING AGENT.
2. ALL STEEL SHALL BE ASTM A615, GR 60.
3. ALL DIMENSIONS SHOWN ARE TYPICAL ONLY. CONTRACTOR TO VERIFY OVERALL SLAB SIZE WITH EQUIPMENT MANUFACTURER AND ENGINEER PRIOR TO CONSTRUCTION.
4. ALL SLABS SHALL HAVE TOOLED EDGES ON ALL SIDES

REVISION DATE:	JAN. 2015



SHEET NO.
WW-7B