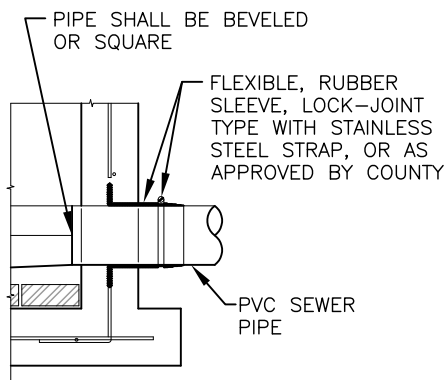


PLAN

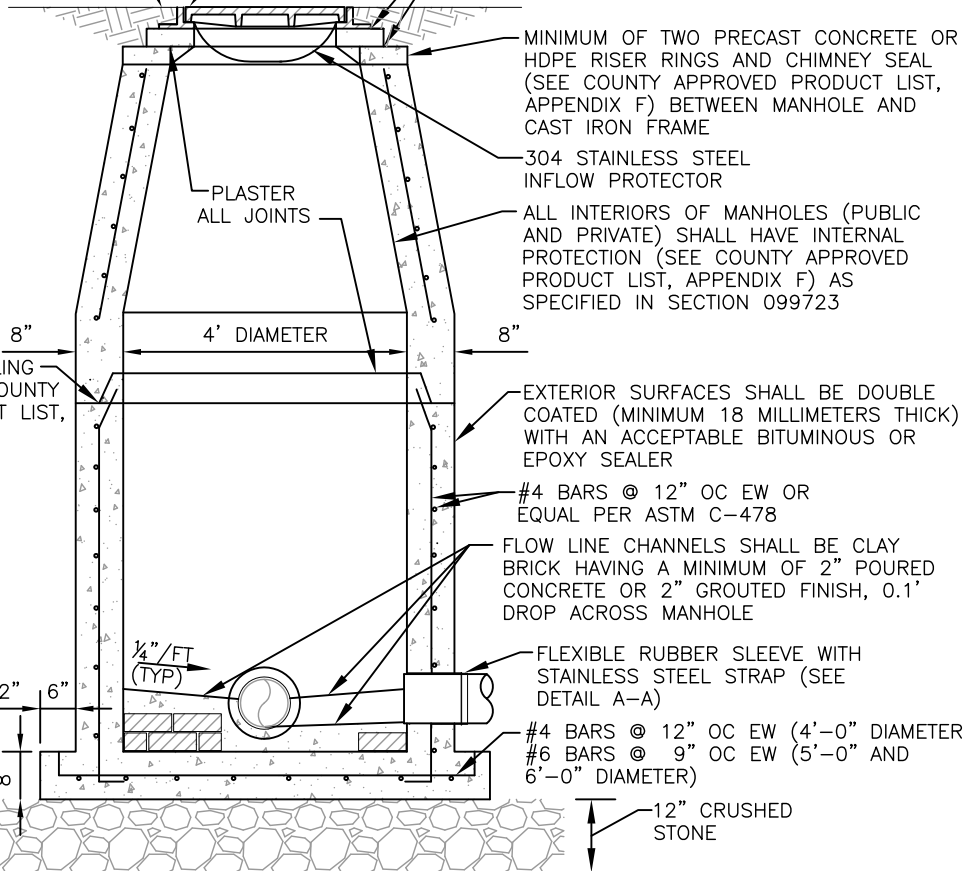
WATERTIGHT SEWER MANHOLE FRAME AND COVER (SEE COUNTY APPROVED PRODUCT LIST, APPENDIX F) FLUSH WITH GRADE (24" MINIMUM DIAMETER)

PAVEMENT OR EQUIVALENTLY STABILIZED SURFACE

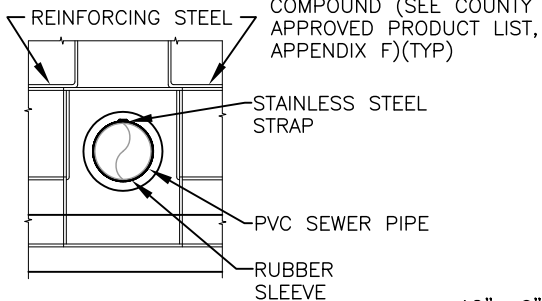
GROUT (TYP)



SECTION



SECTION



**ELEVATION
DETAIL A-A**

**PRECAST REINFORCED
CONCRETE MANHOLE DETAIL**

NTS

REVISION DATE:

JULY 2018



SHEET NO.

WW-3