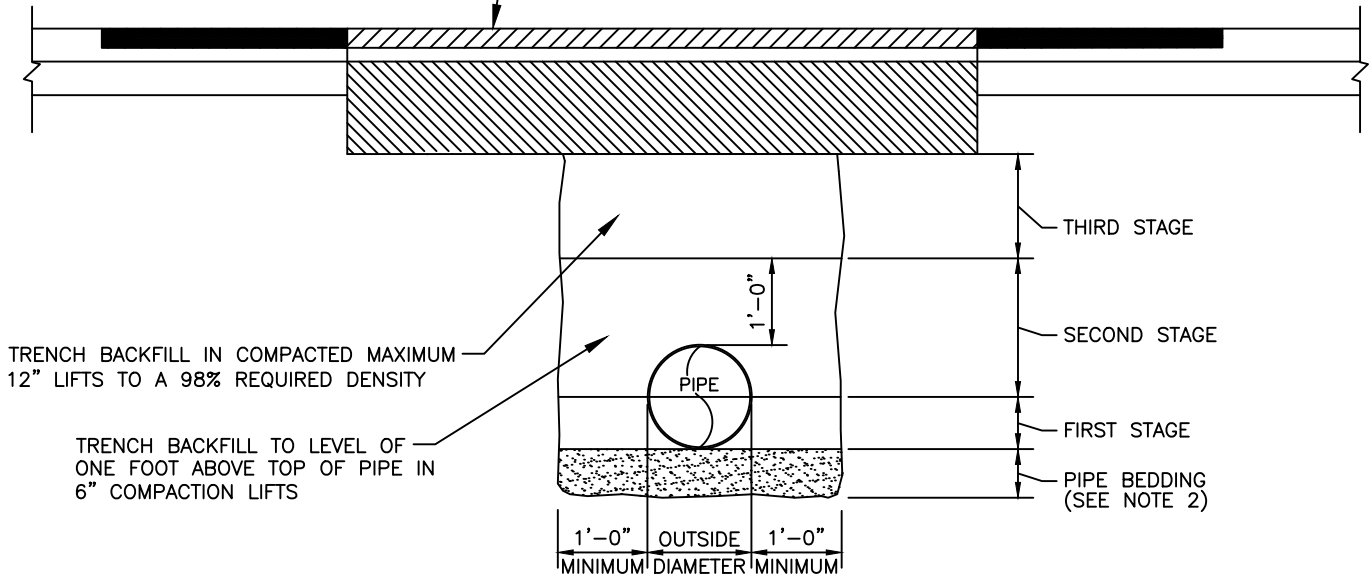


FOR ROADWAY AND BASE RESTORATION
DETAILS, REFER TO THE COLLIER
COUNTY RIGHT OF WAY HANDBOOK.



TRENCH BACKFILL IN COMPACTED MAXIMUM
12" LIFTS TO A 98% REQUIRED DENSITY

TRENCH BACKFILL TO LEVEL OF
ONE FOOT ABOVE TOP OF PIPE IN
6" COMPACTION LIFTS

NOTES:

1. BACKFILL SHALL BE OF SUITABLE MATERIAL REMOVED FROM EXCAVATION EXCEPT WHERE OTHER MATERIAL IS SPECIFIED. BACKFILL MATERIAL SHALL CONSIST OF EARTH, LOAM, SANDY CLAY, GRAVEL, CRUSHED LIMESTONE, OR OTHER APPROVED MATERIAL. REFER TO TECHNICAL SPECIFICATIONS FOR DETAIL REQUIREMENTS.
2. IF TRENCH BOTTOM CONTAINS ROCK, THEN A MINIMUM OF A 6" PIPE BEDDING SHALL BE USED.

**PAVED AREA TRENCH RESTORATION
DETAIL
FOR PRIVATE ROADS**

NTS

REVISION DATE:
JULY 2018



SHEET NO.
G-2